

DESCRIPTION

ARINI merges illumination with striking design to bring a sense of place to stadia, convention centers, fairgrounds, theme parks, and other large scale gathering areas. Multiple luminaires combined with artistically styled poles add visual interest to feature spaces while generating functional general illumination. Choice of optics includes three rotationally symmetric distributions and two elliptical beam patterns to meet varying site lighting requirements. All hardware is stainless steel.



PROTECTED BY



Date: \_\_\_\_\_ Type: \_\_\_\_\_ Catalog Number: \_\_\_\_\_

Project Name: \_\_\_\_\_

ORDERING INFORMATION

LUMINAIRE									
MODEL	CCT	DISTRIBUTION	VOLT	POLE HEIGHT	POLE STYLE	SPIRE	POLE MAT	FINISH (Primar®)	OPTIONS
ARI1 1 Head	30K - 3000K	SP - Spot 10°	UNV - 120-277v	17 17'	RC Round Curved Taper	F - Flat - No Spire	S - Steel	BL - Black	DIM - 0-10v DC Dimming
ARI2 2 Heads	40K - 4000K	MB - Medium Beam 25°		23 23'	RT Round Straight Taper	P - Spire - Adds 2' to selected pole height	* - Contact Factory for Aluminum	DG - Dark Grey	HL - Honeycomb louver
ARI3 3 Heads		WB - Wide Beam 45°		30 30'	TRT Round Tilted Taper			GG - Graphite Grey	TVSS10 10KV Surge Suppressor
ARI4 4 Heads		EHB - Elliptical Beam 45°H x 25°V						MB - Matte Black	TVSS20 20KV Surge Suppressor
ARI5 5 Heads		EVB - Elliptical Beam 25°H x 45°V						DB - Dark Bronze	
								CC - (Non-Primar) Custom RAL Color	

## SPECIFICATIONS

### HOUSING

Luminaire housing, shroud, and fitter are die-cast aluminum. Luminaire shroud is rotatable 360 ° for adjustment to site requirements. Clear lens with Fresnel optics is acrylic. Luminaire end cap is polycarbonate and painted to match luminaire on the standard model. Adjustable fitter allows horizontal adjustment of +/- 60° and vertical adjustment from nadir to 120°. Each individual luminaire may be specified with one of five distributions. All hardware is stainless steel.

### OPTICS

Luminaire with six high-power LEDs is available in warm (3000K) or neutral (4000K) color temperatures. Available light distributions include spot, medium, wide, or elliptical beam spreads in horizontal or vertical orientations.

### ELECTRICAL

Integral universal electronic LED driver accepts input voltage range from 120v through 277v at 50/60Hz. Drive current is 700mA. Power consumption is 45 watts per luminaire with a power factor greater than 90%.

NOTE : Due to rapid and continuous advances in LED technology, LED luminaire data is subject to change without notice and at the discretion of HessAmerica. Consult factory for more current technical data.

### DELIVERED LUMENS - 3000K AND 4000K

10°:	2384 lms
25°:	3128 lms
45°:	2944 lms
45° x 25°:	3026 lms
25° x 45°:	3081 lms

### POLE

Choice of poles includes round straight tapered, round tilted tapered, and round curved taper variants in heights of 17, 23, or 30 feet. Poles can accommodate up to five luminaires depending on the height and style. Poles are manufactured with luminaire mounting tenons oriented to customer specification to meet site lighting requirements. Contact factory for other pole heights and options.

### WEIGHT:

ARINI Head: 23 lbs

### FINISH

Standard PRIMAR® finishes are finely textured matte silver grey metallic, dark grey, graphite grey, matte black, or dark bronze. Special RAL colors available on request.

### EFFECTIVE PROJECTED AREA:

0.86 Sq Ft

### INGRESS PROTECTION:

IP65

### CERTIFICATION

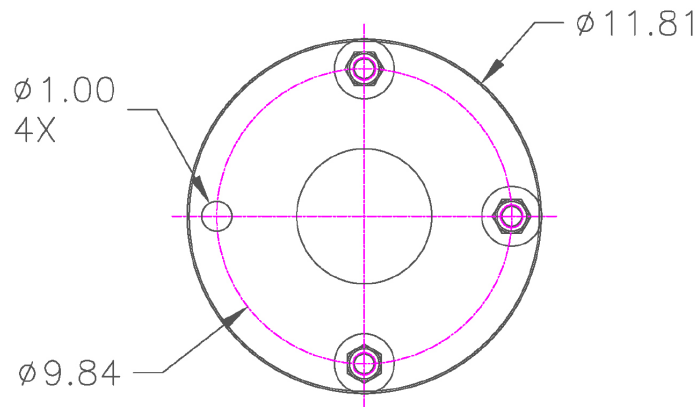
CSA/US Certified for Wet Locations.

### WARRANTY

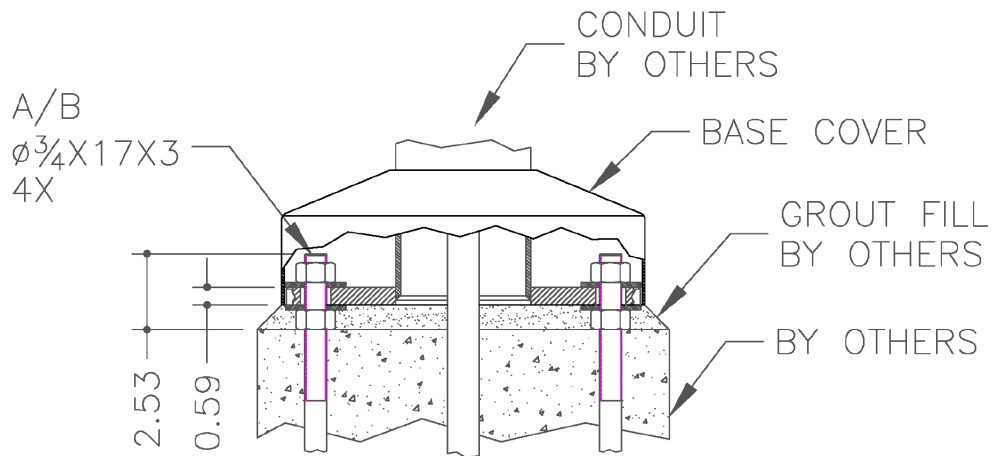
Limited product warranty period including LEDs is five years. Driver shall carry the manufacturer's limited warranty.

MOUNTING DETAILS

All dimensions are shown in inches unless otherwise noted.



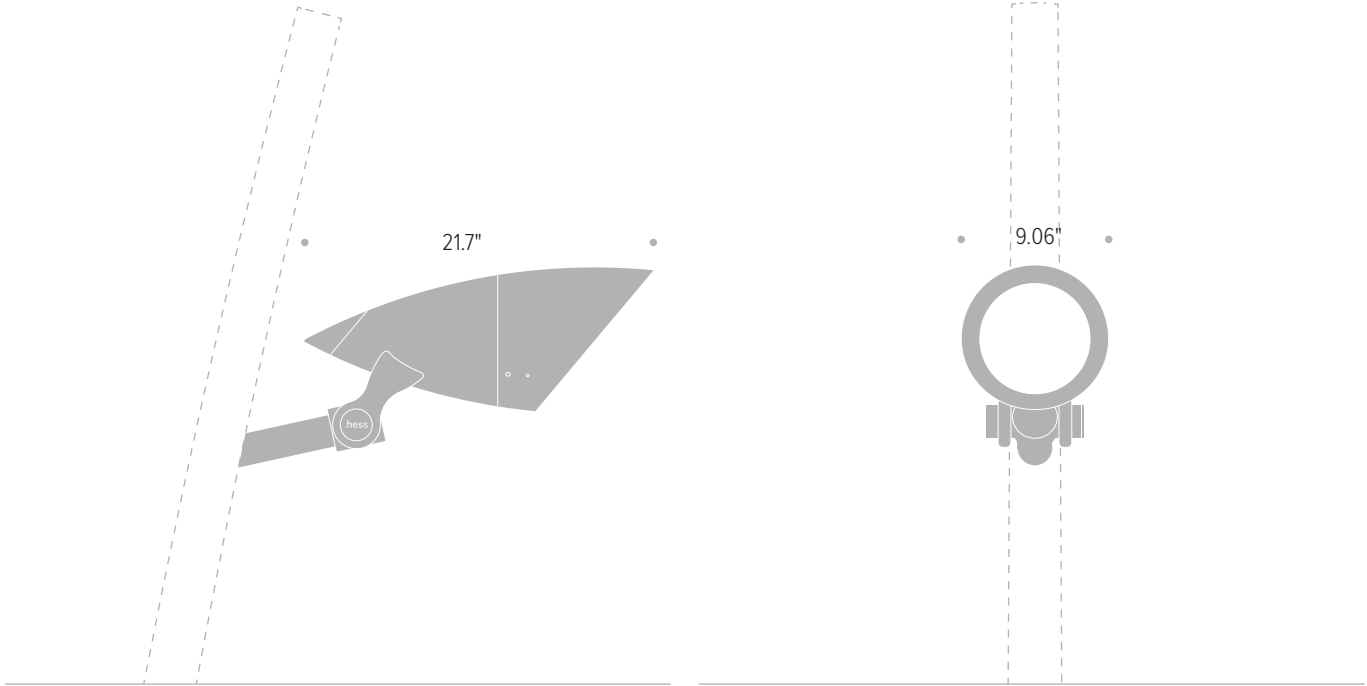
FLANGE PLATE



DETAIL - MOUNTING

DIMENSIONS

All dimensions are shown in inches unless otherwise noted.



Horizontal Adjustment

