

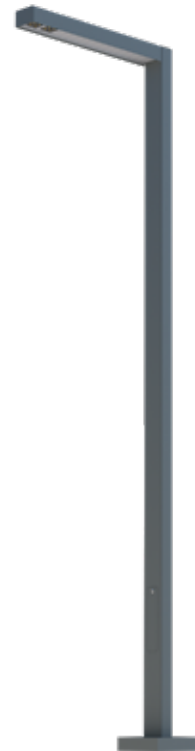
LINEA 450 G2

Pole Mounted Luminaire



DESCRIPTION

The LINEA G2 leverages the latest in LED technology with distinctive design and exceptional versatility to perceptively capture today's minimalist design philosophy. The well-proportioned reduced form continues retain its validity far into the future. Available in single or twin mounting configurations, the pedestrian-scale model is 15' tall, with complementary models in intermediate and taller heights of 20' and 26' for proper scale in a variety of applications. A selection of LED illuminating bollards for performance or ambience complements the product family. All hardware is stainless steel. CSA Listed for Wet Locations.



PROTECTED BY PRIMAR™

Date: _____ Type: _____ Catalog Number: _____

Project Name: _____

ORDERING INFORMATION

LUMINAIRE									
MODEL	SOURCE	CCT	DISTRIBUTION	VOLT	MOUNTING	POLE	POLE MAT	FINISH (Primar™)	OPTION
LG450	1LVC- 1 LEVO C Module	WW - 3000K	T2 - Type II	UNV - 120-277v	A - Single Mount	15SR - 15' Straight Rectangular	A - Aluminum	SG - Silver Grey	3PR - 3-pin NEMA Photocontrol Receptacle
	2LVC- 2 LEVO C Modules	NW - 4000K	T3 - Type III		B - Twin Mount		X - Other (Specify)	S - Steel	DG - Dark Grey
			T4 - Type IV					GG - Graphite Grey	7PR - 7-pin NEMA Photocontrol Receptacle
								BLK - Matte Black	DIM - 0-10v dimming
								BRZ - Dark Bronze	GFCI - GFCI Outlet
								CC - Custom RAL Color (non-Primar)	HSS - House Side Shield
									MS - Motion Sensor
									TVSS10 10KV Surge Suppressor
									TVSS20 20KV Surge Suppressor

SPECIFICATIONS

HOUSING

Rectangular luminaire housing with integral fitter is extruded 6061 aluminum with T6 temper and shows no visible welds. Individual LED arrays are sealed by the lens and a one-piece silicone gasket making a weather tight modular assembly. Luminaire mounts to tenon on pole and secured with four socket head cap screws on top of the housing. Luminaire is available in single or twin back-to-back mounting configurations. All hardware is stainless steel.

OPTICS

Optics consist of 1 or 2 LED light engines. Each light engine consists of a field replaceable aluminum core PCB with four high-power LEDs and a single piece lens molded from optical quality acrylic. Light distributions include a choice of Type II, III, or IV optics. Luminaire emits zero uplight at 90 degrees horizontal and above and is suitable for use in all LEED lighting zones. Optional house side shields for the individual modules are available on request.

LED DELIVERED LUMEN OUTPUT / BUG RATING

2 Modules: 72 watts

Type II - 3000k: 7185 lms / B2-U0-G2	Type II - 4000k: 7789 lms / B2-U0-G2
Type III - 3000k: 7196 lms / B2-U0-G2	Type III - 4000k: 7800 lms / B2-U0-G2
Type IV - 3000k: 6183 lms / B2-U0-G2	Type IV - 4000k: 7405 lms / B2-U0-G2

2 Modules w/ House Side Shield: 72 watts

Type II - 3000k: 6814 lms / B1-U0-G1	Type II - 4000k: 7386 lms / B1-U0-G2
Type III - 3000k: 6805 lms / B2-U0-G1	Type III - 4000k: 7377 lms / B2-U0-G1
Type IV - 3000k: 6407 lms / B1-U0-G2	Type IV - 4000k: 6945 lms / B1-U0-G2

NOTE: Due to rapid and continuous advances in LED technology, LED luminaire data is subject to change without notice and at the discretion of HessAmerica. Consult factory for current technical data.

ELECTRICAL

Each LED module is driven by an independent electronic driver. Input voltage range is 120v through 277v at 50/60Hz. Each driver supplies 700mA drive current to its respective LED module. Power consumption for single driver is 36 watts and 72 watts for models with two LED light engines. Optional 0-10v DC dimming is available on request.

LUMINAIRE WEIGHT: 22 lbs.

LUMINAIRE EPA: 1.3 sq. ft

ALUMINUM:

Straight rectangular pole is 6.3" x 3.9" nominal and manufactured from seamless 6061 aluminum tubing and heat treated to produce a T6 temper. Nominal wall thickness is 0.236". Sides of the shaft are flat with 1/8" radiused corners. Flush mounted hand hole cover is plasma cut with kerf not to exceed 1/8" and includes triangular tamper-resistant locking device. Two-piece base cover is fabricated aluminum. Nominal pole height is 15'.

STEEL:

Straight rectangular pole is 6.3" x 3.5" nominal and manufactured from cold drawn over mandrel, electric weld, mechanical steel tubing with nominal wall thickness of 0.197". Sides of shaft are flat with 3/8" radiused corners. Pole shall show no seam along the shaft. Flush mounted hand hole cover is plasma cut with kerf not to exceed 1/16" and includes triangular tamper-resistant locking device. Pole is hot-dip galvanized with coating inside and out, then lightly sanded prior to painting. Two-piece base cover is fabricated aluminum. Nominal pole height is 15'.

FINISH:

Standard finishes are finely textured matte silver grey metallic, dark grey, graphite grey, matte black, or dark bronze. Special colors available on request.

CERTIFICATION: CSA Certified for Wet Locations

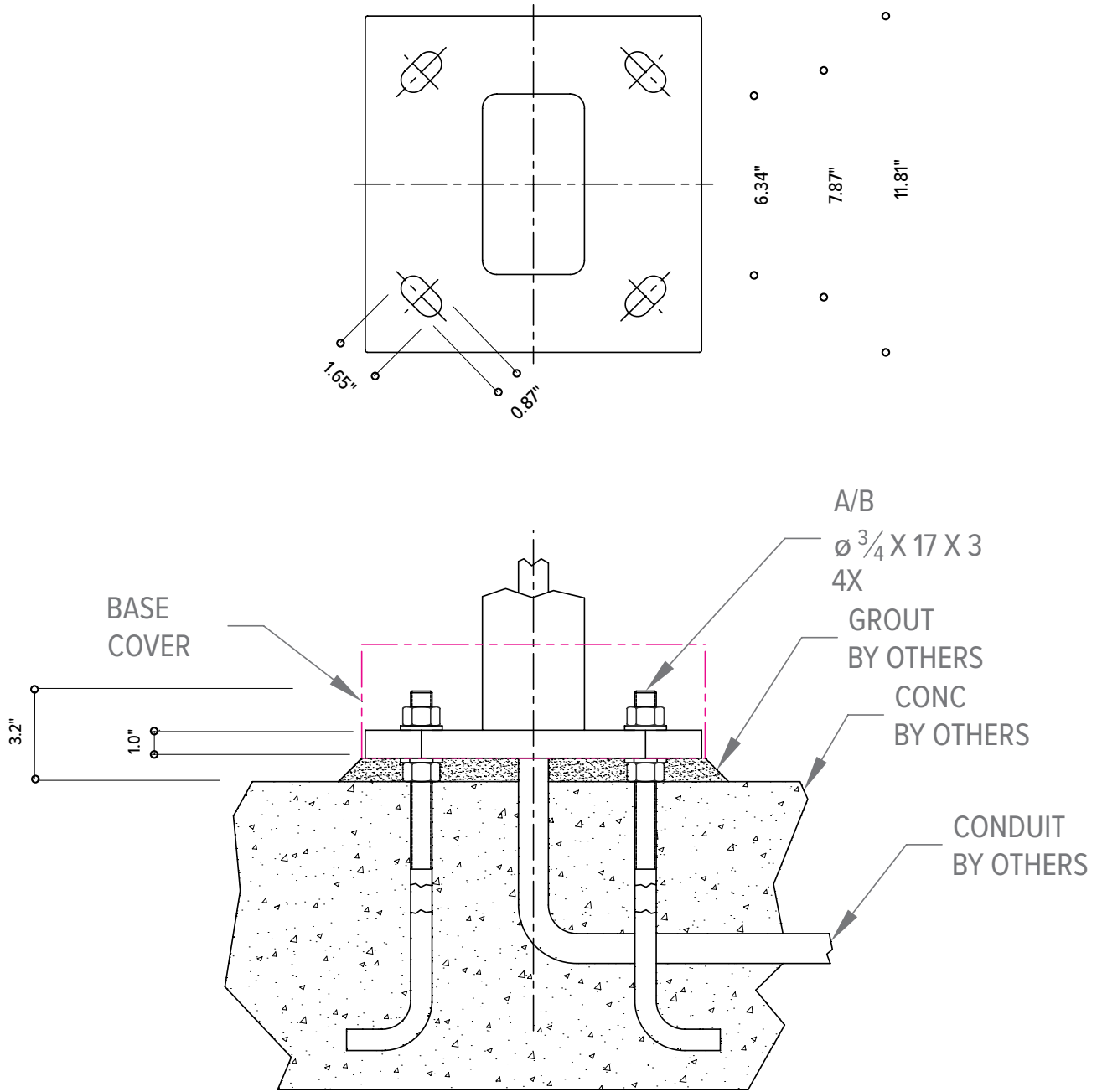
INGRESS PROTECTION: IP65

WARRANTY

Limited product warranty period including LEDs is five years. Driver shall carry the manufacturer's limited warranty.

MOUNTING DETAILS

All dimensions are shown in inches unless otherwise noted.

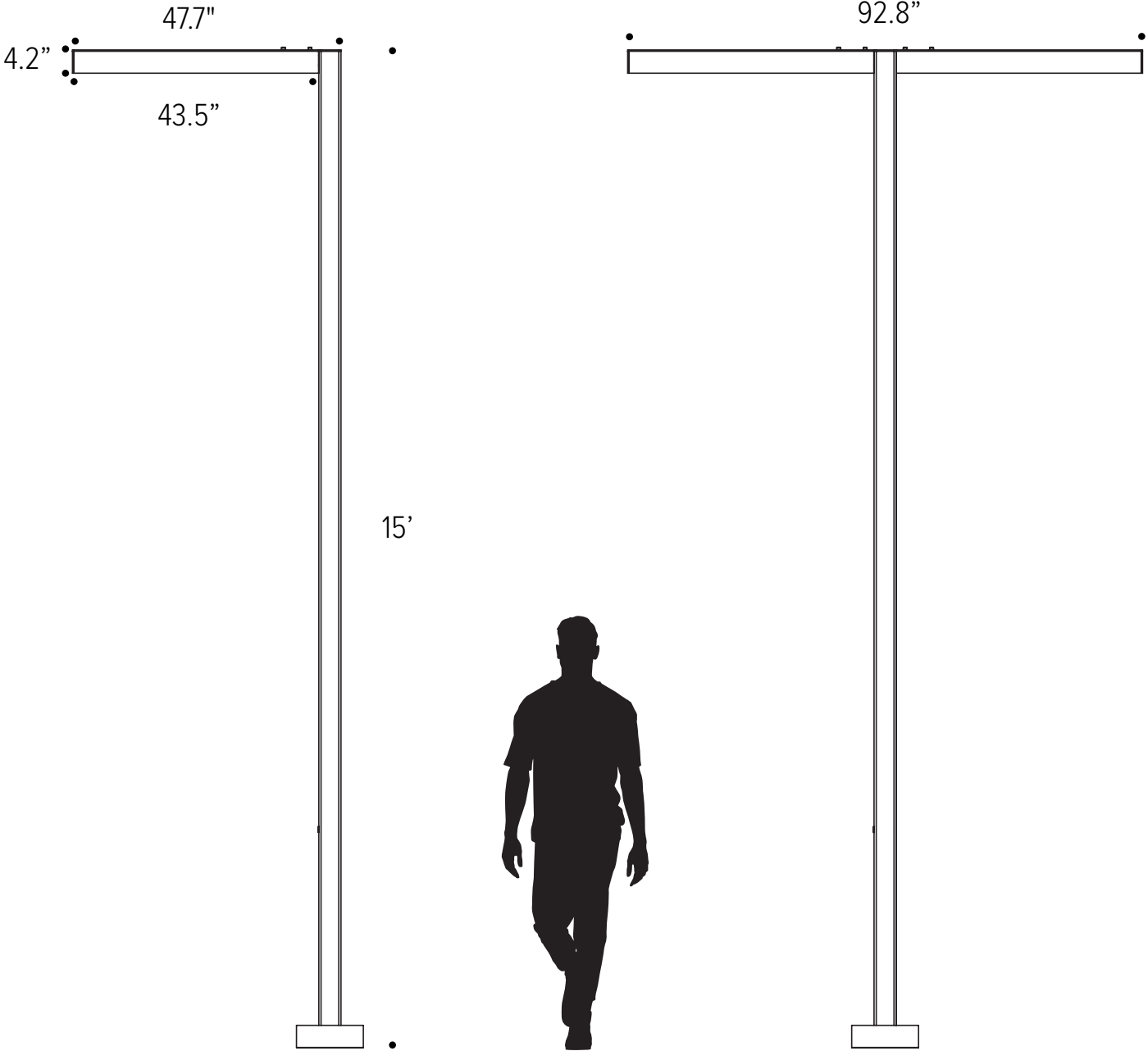


LINEA 450 G2

Pole Mounted Luminaire

DIMENSIONS

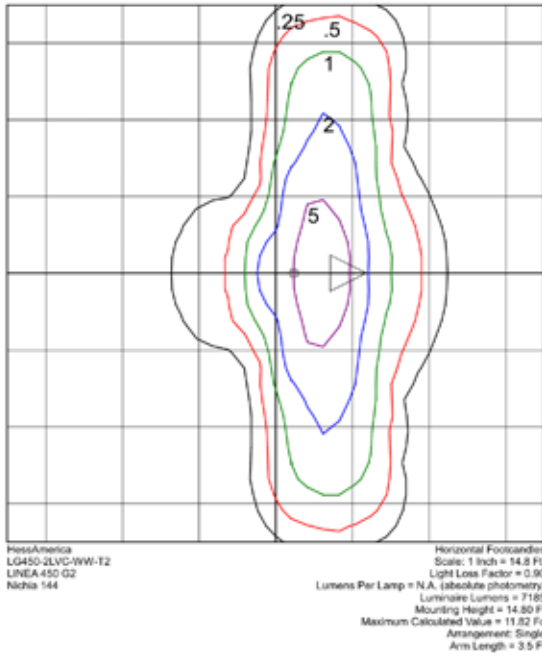
All dimensions are shown in inches unless otherwise noted.



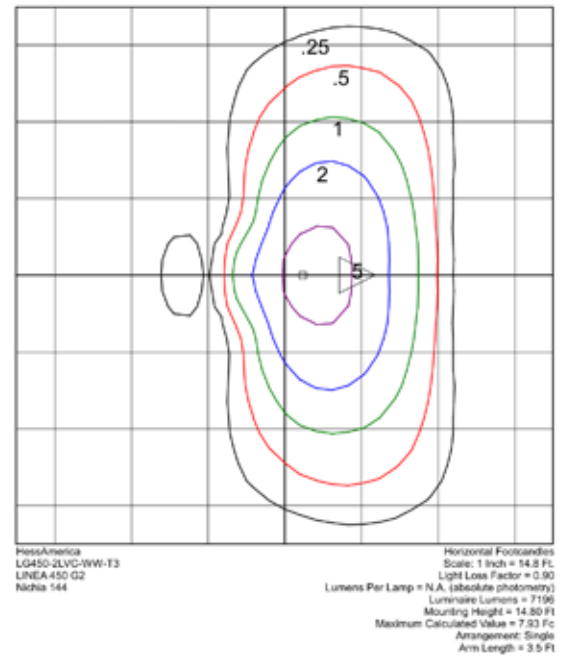
PHOTOMETRICS (3000K)

Mounting Height: 1" / Scale: Each square = 14.8'

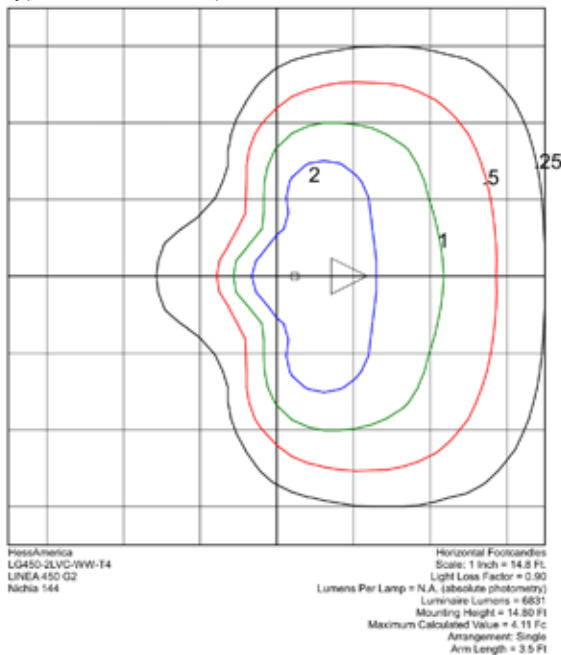
Type II - Standard Optics



Type III - Standard Optics



Type IV - Standard Optics



ISOLINES LEGEND:

- Black = 0.25 FC
- Red = 0.50 FC
- Green = 1.0 FC
- Blue = 2.0 FC
- Purple = 5.0 FC