

DESCRIPTION

The BISHOP illuminating column features a unique contoured form factor with fully shielded optics to provide exceptionally uniform illumination in Type II, III, and IV distributions. The column is available in pedestrian-scale heights of 10', 12', or 14' to meet varying scale requirements and may be paired with the complementary illuminating bollard for cohesive site design aesthetics. Fabricated from 6061-T6 aluminum, the column design uses concealed anchor bolts and minimized hardware for understated styling. The BISHOP column is suitable for use in LEED zones 1 through 4. All hardware is stainless steel.



PROTECTED BY  PRIMAR™

Date: _____ Type: _____ Catalog Number: _____

Project Name: _____

ORDERING INFORMATION

LUMINAIRE							
MODEL	SOURCE	CCT	DISTRIBUTION	VOLT	HEIGHT	FINISH (Primar™)	OPTION
BSP180 Bishop Column	LED Standard Output	WW - 3000K	T2 - Type II Performance	UNV - 120-277v	10RS - 10' Round Straight	SG - Silver Grey	DIM - 0-10v dimming
		NW - 4000K	T3 - Type III Performance		12RS - 12' Round Straight	DG - Dark Grey	DS - Duress Station *
			T4 - Type IV Performance		14RS - 14' Round Straight	GG - Graphite Grey	EF - External Flange
						BLK - Matte Black	GFCI - GFCI Outlet
			T2C - Type II Comfort			BRZ - Dark Bronze	TVSS10 10KV Surge Suppressor
			T3C - Type III Comfort				TVSS20 20KV Surge Suppressor
			T4C - Type IV Comfort			CC - (Non-Primar) Custom RAL Color	* Contact Factory

SPECIFICATIONS

HOUSING

Single piece column shaft is fabricated from round 6061 aluminum alloy tubing with T6 temper is 7.1" in diameter. Nominal wall thickness is 0.196". Overall column height may be 10', 12', or 14'. LED light engine and driver are housed in self-contained weather-proof enclosure at the top of the column. LED array is thermally managed using convection and transmission of heat through the use of an aluminum heat sink and the luminaire housing. All hardware is stainless steel.

OPTICS

LED light engine is a single LED module consisting of a field-replaceable aluminum core circuit board with four high-output LEDs and single-piece lens molded from optical quality acrylic. Light distributions include a choice of Type II, III, or IV optics in performance and comfort optics. Comfort optics utilize a proprietary coating to minimize brightness while retaining photometric control of the light distribution. The illuminating column emits zero uplight at 90 degrees horizontal and above and is suitable for use in all LEED lighting zones. Color temperature may be 3000K or 4000K.

ELECTRICAL

Integral LED driver is housed in the luminaire head. Power consumption is 36 watts at 700mA. Input voltage range is 120v - 277v AC, 50-60 Hz. LED driver shall be UL recognized. Optional 0-10v DC dimming is available on request.

LED DELIVERED LUMENS / BUG RATING

Standard Optics: 3000K

Type II: 3326 lms B1-U0-G1
Type III: 3148 lms B1-U0-G2
Type IV: 3068 lms B0-U0-G2

Comfort Optics: 3000K

Type II: 3100 lms B1-U0-G1
Type III: 2920 lms B1-U0-G2
Type IV: 2855 lms B0-U0-G2

Standard Optics: 4000K

Type II: 3606 lms B1-U0-G1
Type III: 3413 lms B1-U0-G2
Type IV: 3326 lms B0-U0-G2

Comfort Optics: 4000K

Type II: 3361 lms B1-U0-G1
Type III: 3166 lms B1-U0-G2
Type IV: 3095 lms B0-U0-G2

NOTE : Due to rapid and continuous advances in LED technology, LED luminaire data is subject to change without notice and at the discretion of HessAmerica. Consult factory for more current technical data.

MOUNTING

Internal flange mounting is standard. Optional external flange is available on request.

WEIGHT:

BISHOP 10' Column: 59 lbs / BISHOP 12' Column: 69 lbs / BISHOP 14' Column: 79 lbs

FINISH

Standard PRIMAR™ finishes are finely textured matte silver grey metallic, dark grey, graphite grey, matte black, or dark bronze. Special RAL colors available on request.

CERTIFICATION

CSA/US Certified for Wet Locations.

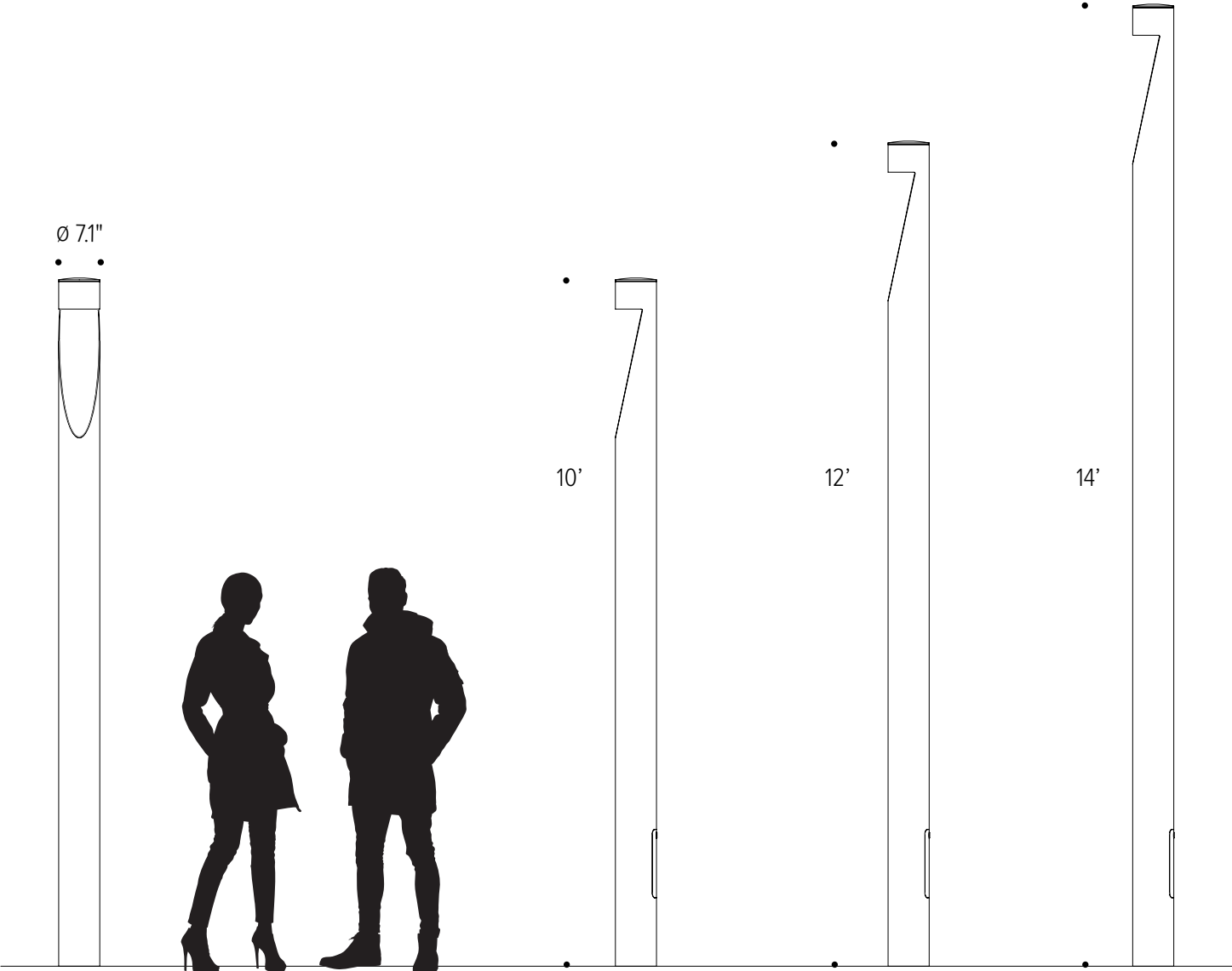
WARRANTY

Limited product warranty period including LEDs is five years. Driver shall carry the manufacturer's limited warranty.



DIMENSIONS

All dimensions are shown in inches unless otherwise noted.

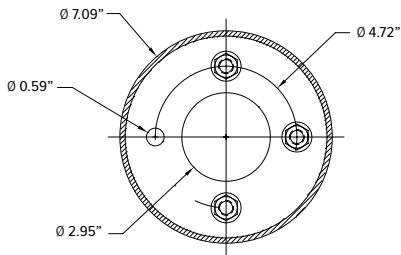


MOUNTING DETAILS

All dimensions are shown in inches unless otherwise noted.

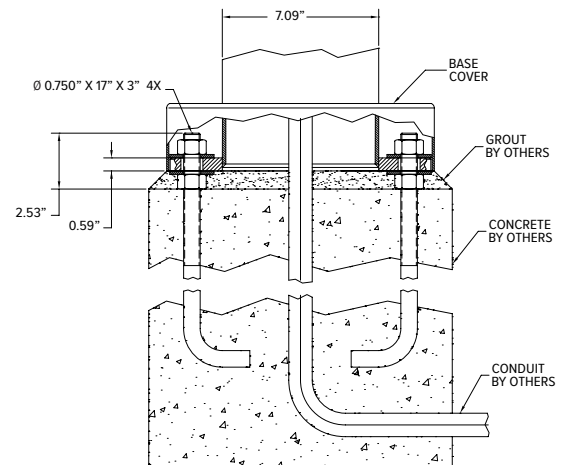
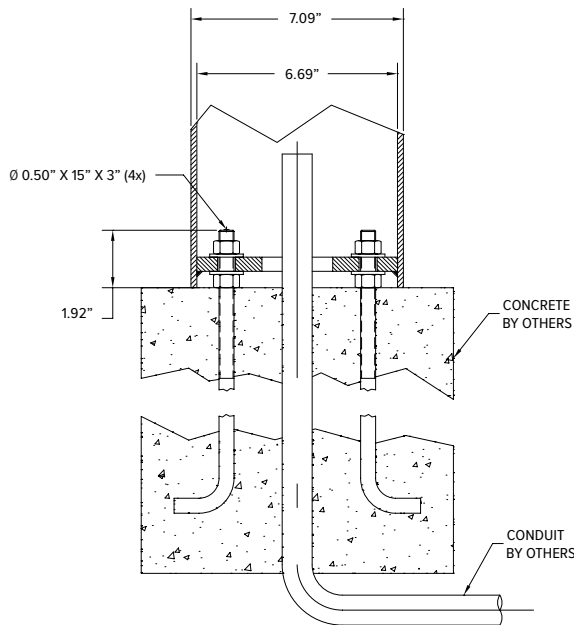
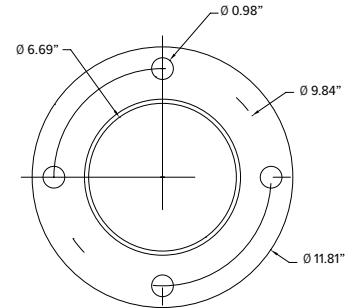
INTERNAL
FLANGE

(Standard)



EXTERNAL
FLANGE

(Option on Request)



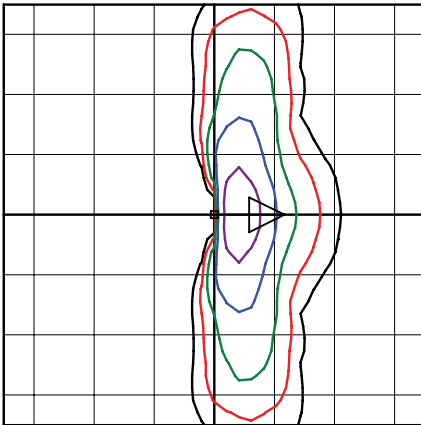
PHOTOMETRICS (3000K)

Mounting Height: 12' / Scale: Each square = 12'

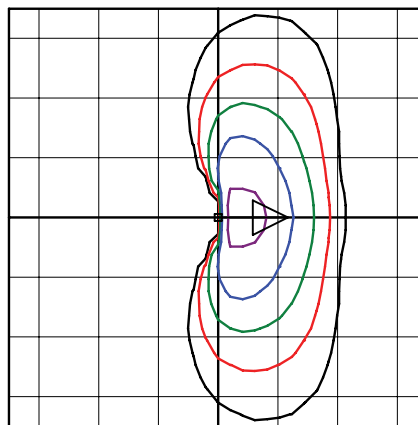
ISOLINES LEGEND:

Black	=	0.25 FC
Red	=	0.50 FC
Green	=	1.0 FC
Blue	=	2.0 FC
Purple	=	5.0 FC

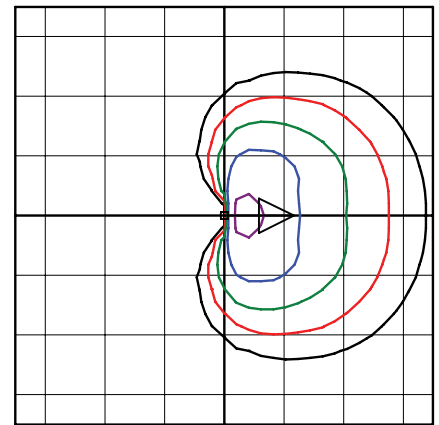
TYPE II - Standard Optics



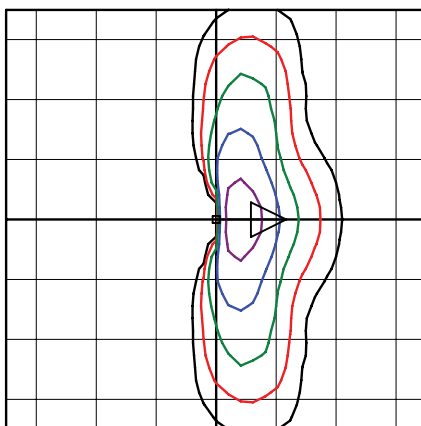
Type III - Standard Optics



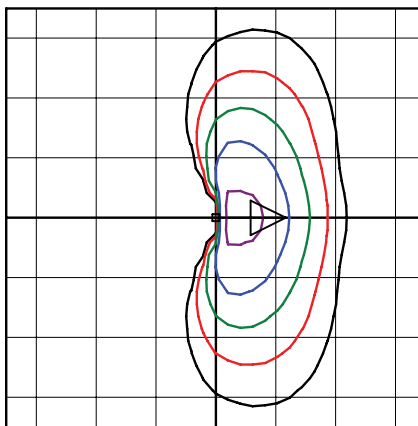
Type IV - Standard Optics



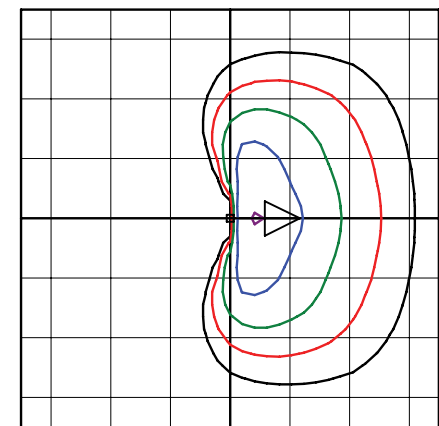
TYPE II - Comfort Optics



Type III - Comfort Optics



Type IV - Comfort Optics



EXTERIOR APPLICATION

