

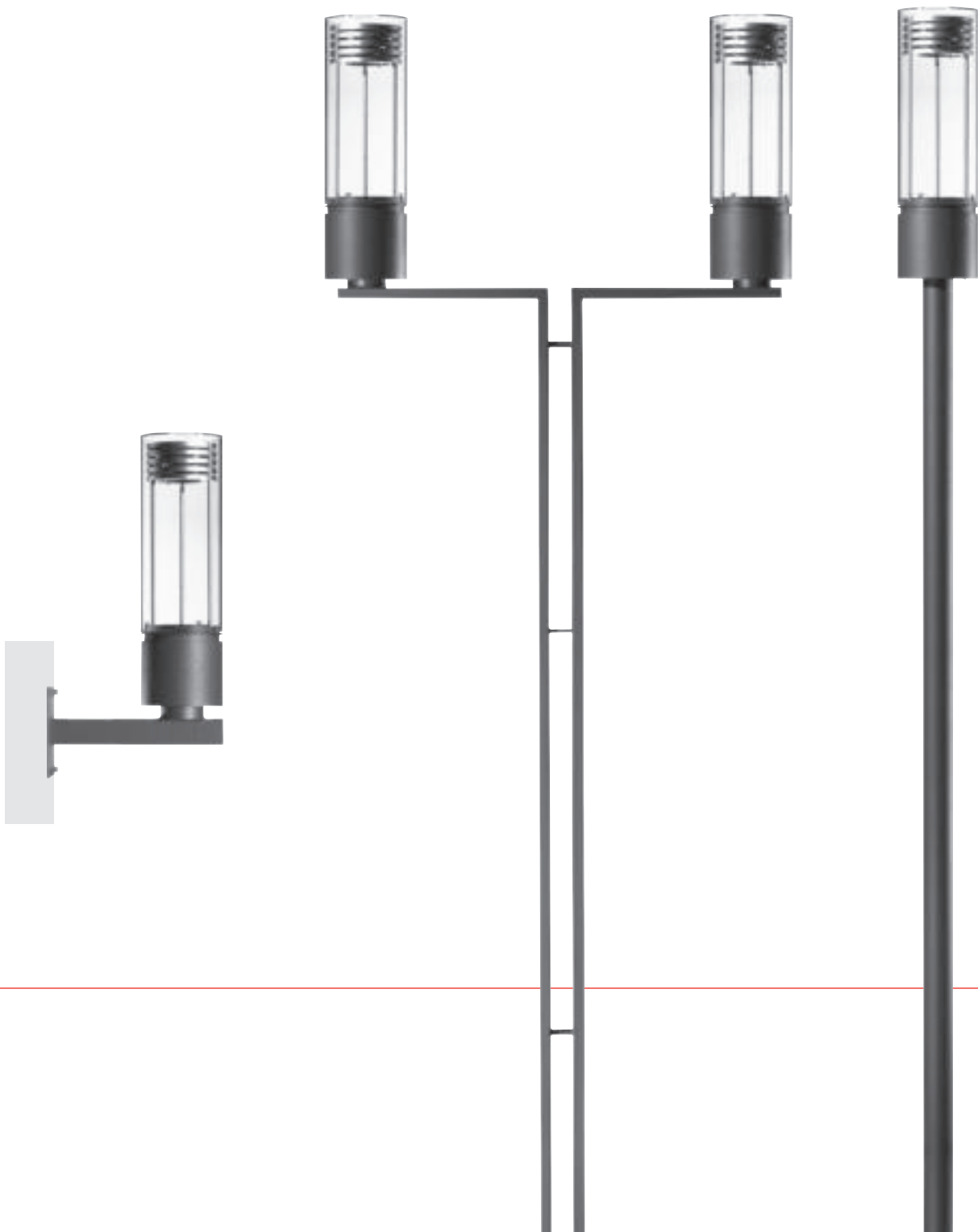


■ St. Georgen . Germany
■ Bruges . Belgium

RESIDENZA



RESIDENZA






RESIDENZA

www.hessamerica.com

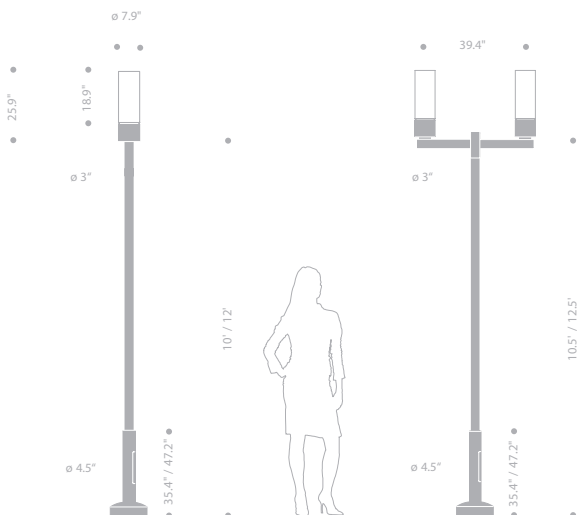
RESIDENZA . Pole Mounted Luminaire

The simple cylindrical form of RESIDENZA integrates into a wide variety of pedestrian scale applications. Cast aluminum housing with integral fitter houses electrical components. Lens is clear acrylic and includes optics for symmetric and asymmetric distributions. Matte acrylic lens is available on request. Lens twists and locks onto housing for toolless access. Luminaire is available in single or twin configurations. Stepped pole with double welded transition and flush handhole is available in steel or aluminum. Steel pole is hot-dip galvanized prior to being finished in finely textured paint. Base cover is spun aluminum. All hardware is stainless steel. Standard colors; matte silver grey metallic or graphite grey. Special colors available.  Listed for Wet Locations.

RESIDENZA S . Pole Mounted Luminaire

Same as RESIDENZA except with matte acrylic lens and corresponding optics.

Model	Pole	Lens	Lamp
RS200	10' w/ 3' Step	Clear	LED / 70 MH / 39 MH
RS200	12' w/ 4' Step	Clear	LED / 70 MH / 39 MH
RS200S	10' w/ 3' Step	Matte	LED / 70 MH / 39 MH
RS200S	12' w/ 4' Step	Matte	LED / 70 MH / 39 MH



Phone: 864.487.3535 • Fax: 864.487.3175 • www.hessamerica.com

P.O. Box 28 • Gaffney, SC 29342-0028

Design: Karsten Winkels

HessAmerica