

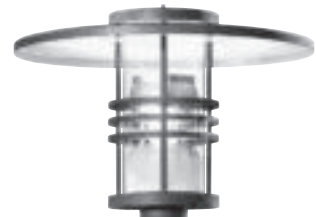
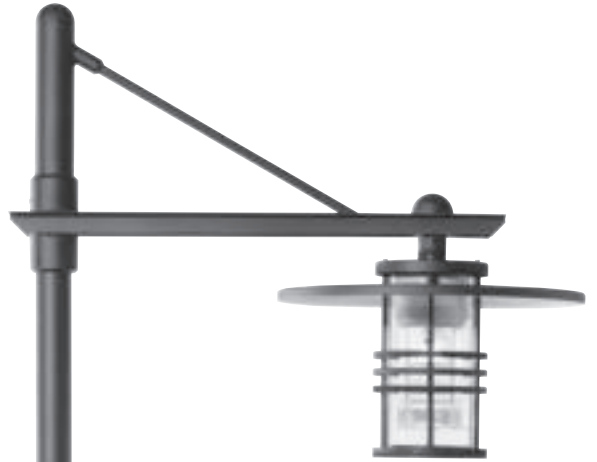
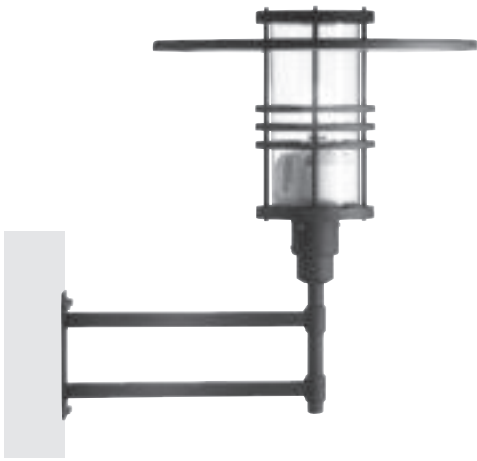


Hollywood . California . USA  
Hollywood . California . USA

AVALON



AVALON




# AVALON



[www.hessamerica.com](http://www.hessamerica.com)

## AVALON . Wall Mounted Luminaire

The AVALON wall mount series is available in two sizes to satisfy a variety of building requirements. The cast aluminum housing with integrated slipfitter anchors stainless steel rods to support the flat spun aluminum shade and cast top cap, creating a classic appearance. The cylindrical clear acrylic lens extends through the shade forming an aperture to subtly highlight the luminaire night form. External louvers mimic the shade profile, while functioning to reduce brightness. LED model features translucent light shaping diffusing film inside the cylindrical lens. Optional internal louvers for symmetrical or asymmetrical distributions provide added light control for metal halide models. Steel mounting brackets are cleanly detailed and hot-dip galvanized prior to being finished in high quality paint. All hardware is stainless steel. Standard colors; matte silver grey metallic or black. Special colors available.  Listed for Wet Locations.

Model	Lamp
AV650	LED / 150 MH / 100 MH / 70 MH
AV800	LED / 200 MH / 150 MH

