

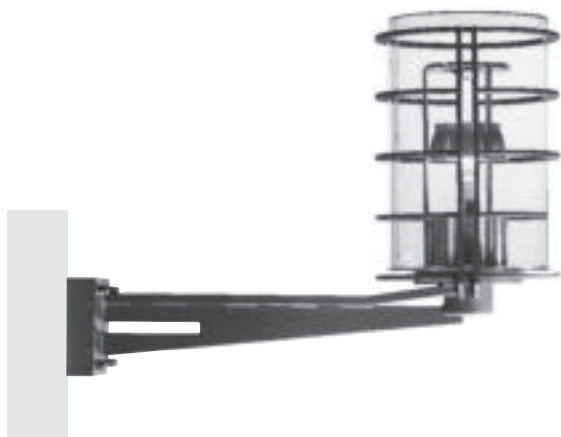


■ Biarritz . France  
■ Biarritz . France

## VILLAGE



# VILLAGE





# VILLAGE

[www.hessamerica.com](http://www.hessamerica.com)

## VILLAGE • Pole Mounted Luminaire

Simple styling and meticulous detail exemplify the VILLAGE luminaire. The single piece ringed cage is fabricated from aluminum and intricately constructed to show no visible welds. Cylindrical lens is clear acrylic and houses the optical assembly. Optics are available in symmetric and asymmetric distributions to match site lighting requirements. Stepped pole with double welded transition and flush handhole is available in steel or aluminum. Steel pole is hot-dip galvanized prior to being finished in finely textured paint. Base cover is spun aluminum. All hardware is stainless steel. Standard colors; matte silver grey metallic or graphite grey. Special colors available. CSA Certified for Wet Locations.

Model	Pole	Lamp
VA375P	10' w/ 3' step	LED / 100 MH / 70 MH
VA375P	12' or 14' w/ 4' step	LED / 100 MH / 70 MH
VA450P	12' or 14' with 4' step	LED / 150 MH / 100 MH / 70 MH

