

C E R E S Bicycle Rack

Project Name

Address

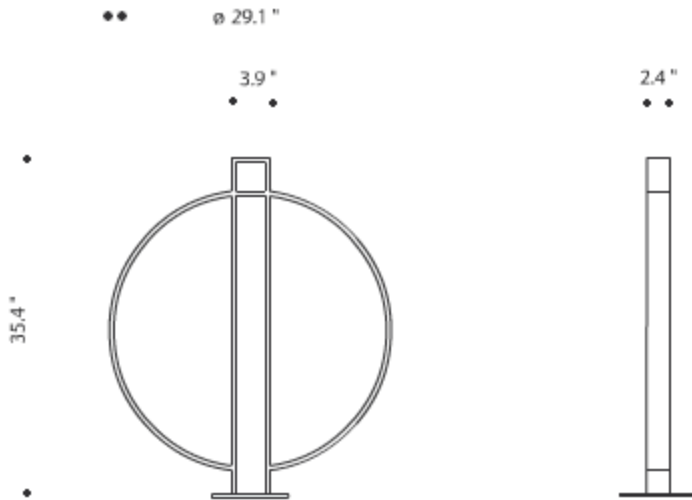
City

State

ZIP



Dimensions



C E R E S Bicycle Rack

www.hessamerica.com

Type	Model	Mounting	Finish
	CR900	A - Embedded / Direct Burial C - Flange Mount	SG - Silver Grey GG - Graphite Grey CC - Custom Color

Ordering Information

Comment

Specifications are subject to change without notification

HessAmerica . P.O. Box 28 . Gaffney, SC 29342 . Phone: 864-487-3535 . Fax: 864-487-3175 . www.hessamerica.com

.hess

Specifications

- DESCRIPTION** Geometrically styled bicycle rack for public spaces.
- MATERIALS** Bicycle rack is fabricated from 2.4" wide x 0.47" thick cold rolled steel stock. Horizontal and radiused sections of rack are plug and fillet welded to two vertical post sections. All welds are sanded to show no visible seams or marks, then hot-dip galvanized prior to painting. Bicycle rack holds two bicycles.
- DIMENSIONS** 35.4"h x 29.1"w x 2.4"d
- MOUNTING** Bicycle rack is available in embedded or flange mount models.
- FINISH** Standard finish is finely textured matte silver grey metallic or graphite grey. Special colors available on request.
- WARRANTY** Limited product warranty period is three years.



Specifications are subject to change without notification

HessAmerica . P.O. Box 28 . Gaffney, SC 29342. Phone: 864-487-3535 . Fax: 864-487-3175 . www.hessamerica.com

.hess

Specifications

Specifications are subject to change without notification

HessAmerica . P.O. Box 28 . Gaffney, SC 29342. Phone: 864-487-3535 . Fax: 864-487-3175 . www.hessamerica.com

.hess