

SIRIUS 450 Wall Mounted Luminaire

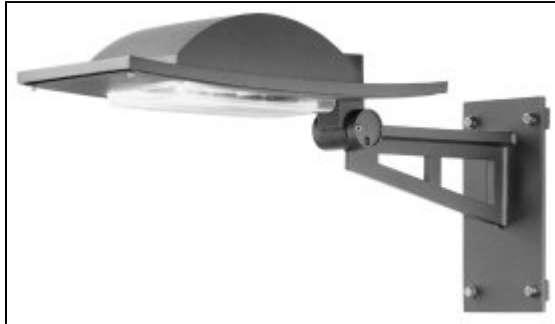
Project Name

Address

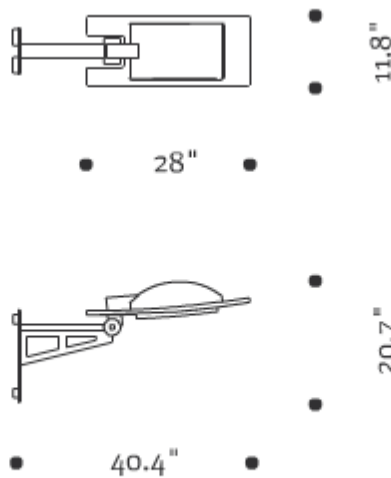
City

State

ZIP



Dimensions



Luminaire EPA = 0.8 sq ft
SI450 Luminaire = 35 lbs

SIRIUS 450 Wall Mounted Luminaire

www.hessamerica.com


Type	Model	Watt	Lamp	Volt	Mounting	Finish	Option
	SI450	50 70	M - Metal Halide S - High Pressure Sodium	2 - 120 7 - 277	W - Wall Mount	SG - Silver Grey GG - Graphite Grey CC - Custom Color	N - None

Ordering Information

Comment

Specifications are subject to change without notification

Specifications

DESCRIPTION	Wall mounted luminaire for outdoor applications where contemporary styling is desired.				
HOUSING	Low profile housing with integral adjustable fitter and hinged doorframe are constructed of cast aluminum. Doorframe is secured with two captive socket head cap screws. Drop lens is clear impact resistant acrylic and sealed to the housing with single piece hollow core "D" profile silicone gasket. Removable reflector assembly allows access to tray mounted ballast components. Housing is fitted with stainless steel weather-tight strain relief bushing for the power cable exiting the rear of the luminaire. All hardware is stainless steel.				
OPTICS	Horizontal lamp is positioned within the formed aluminum reflector consisting of semi-specular and hammertone anodized aluminum sheet, laser cut for precise reproduction.				
ELECTRICAL	Metal halide core and coil ballast with class "H" (180°C) insulation system shall have a minimum high power factor rating of 90% and nominal ballast factor of 1.0. Ballast shall be capable of reliable starting to -20°F (-30°C) at nominal line voltage of ±10%. Ballast and capacitor are UL and CSA recognized. Medium base porcelain socket is 660w-600v, 4kV pulse rated.				
	High pressure sodium core and coil ballast with class "H" (180°C) insulation system shall have a minimum high power factor rating of 90% and nominal ballast factor of 1.0. Ballast and starter combination shall be capable of reliable starting to -40°F (-40°C) at nominal line voltage of ±10%. Ballast, capacitor, and starter are UL and CSA recognized. Medium base porcelain socket is 660w-600v, 4kV pulse rated.				
LAMPING	Wattage	70	50	70	50
	Source	Ceramic Metal Halide	Ceramic Metal Halide	HPS	HPS
	Lamp	MHC70/U/M	MHC50/U/M	C70S62/M	C50S68/M
	Bulb	ED-17	ED-17	ED-17	ED-17
	Base	Medium	Medium	Medium	Medium
	Lamp is included.				
MOUNTING	Fabricated steel bracket assembly consists of upper rectangular tubing section with integral luminaire fitter stitch-welded to the lower truss plate. Bracket mounts to surface in four places.				
FINISH	Housing is ultrasonically cleaned prior to painting. Standard finish is finely textured matte silver grey metallic or graphite grey. Special colors available on request.				
WARRANTY	Limited product warranty period is three years. Lamp and ballast shall carry the respective manufacturer's limited warranty.				
CERTIFICATION	e  Listed for Wet Locations.				

Specifications are subject to change without notification