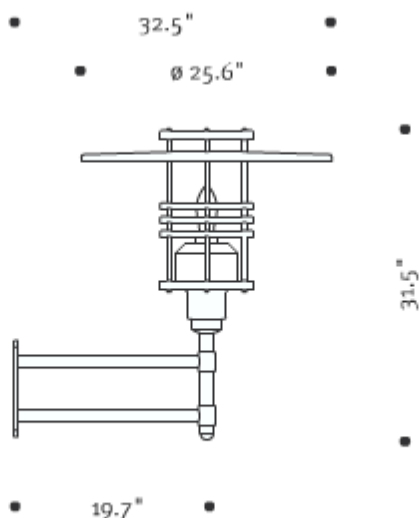




Dimensions



Luminaire EPA = 1.4 sq ft
 AV650 Luminaire = 28 lbs

AVALON 650 Wall Mounted Luminaire

www.hessamerica.com


Type	Model	Watt	Lamp	Volt	Mounting	Finish	Option
	AV650	100 150	M - Metal Halide S - High Pressure Sodium	2 - 120 7 - 277 MT - Multi-tap	D - Para Wall Bracket	SG - Silver Grey BL - Black CC - Custom Color	IL - Internal Louver AL - Assymetrical Louver QD - Quick Disconnect N - None

Ordering Information

Comment

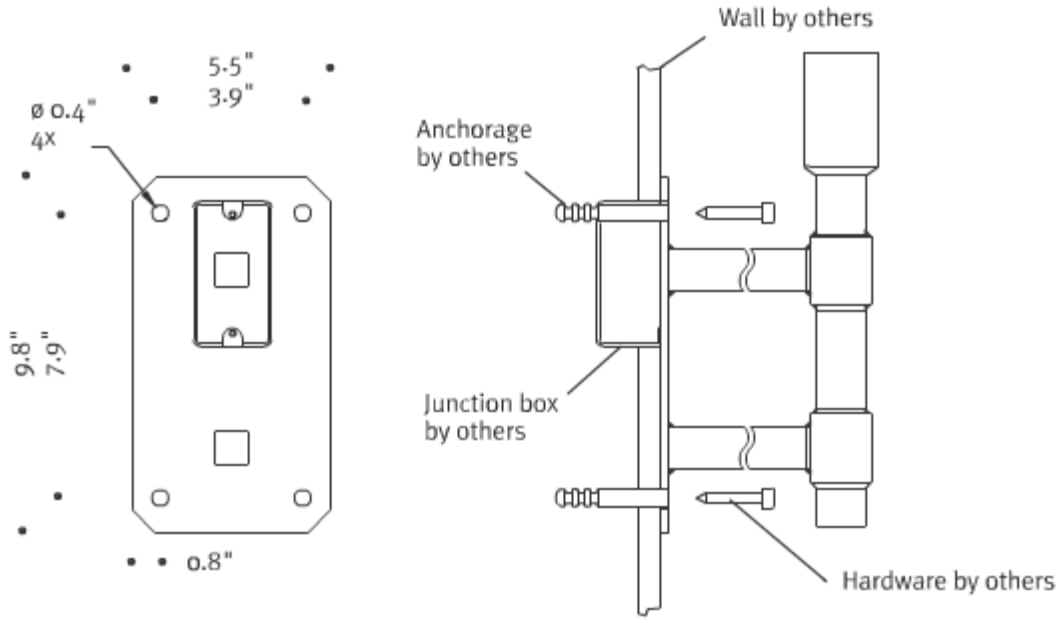
Specifications are subject to change without notification

Specifications

DESCRIPTION	Wall mounted luminaire for outdoor applications where contemporary styling is desired.				
HOUSING	Cylindrical post top luminaire consists of roof, shade, and external louvers with matching profiles. Four stainless steel upper support rods separate the heavy-duty cast aluminum roof and spun aluminum shade, forming an aperture at the top of the luminaire. Machined lower rods support the shade and retain three spun aluminum external louvers midway along its length. Shade and louvers shall be free from burrs and sharp edges. Heavy-duty cast aluminum base with integral slipfitter anchors the support rods, and is machined to include groove for gasketing and mounting surface for the lens and ballast enclosure. Roof and base are gasketed to provide a weather-tight seal to the clear acrylic cylindrical lens. Luminaire slipfits 3" O.D. tenon, and has built-in stop to limit insertion depth to 3". Two offset rows of three 10mm recessed setscrews secure the luminaire to the pole. All hardware is stainless steel.				
OPTICS	Vertical base down lamp is positioned within the clear cylindrical acrylic lens. Three external louvers, painted to match the fixture, shield the lamp at normal viewing angles. Underside of spun aluminum shade and roof are painted white. Optional internal louvers are available for symmetric and asymmetric distributions to provide additional brightness control.				
ELECTRICAL	Electrical components are mounted in a conical spun aluminum enclosure at the base of the luminaire. Enclosure is painted white. Optional quick disconnect for tool-less replacement of ballast pod available on request. Ceramic metal halide core and coil ballast with class "H" (180°C) insulation system shall have a minimum high power factor rating of 90% and nominal ballast factor of 1.0. Ballast and starter combination shall be capable of reliable starting to -20°F (-30°C) at nominal line voltage of ±10%. Ballast, capacitor, and starter are UL and CSA recognized. Medium base porcelain socket is 660w-600v, 4kV pulse rated. High pressure sodium core and coil ballast with class "H" (180°C) insulation system shall have a minimum high power factor rating of 90% and nominal ballast factor of 1.0. Ballast and starter combination shall be capable of reliable starting to -40°F (-40°C) at nominal line voltage of ±10%. Ballast, capacitor, and starter are UL and CSA recognized. Medium base porcelain socket is 660w-600v, 4kV pulse rated.				
LAMPING	Wattage	150	100	150	100
	Source	Ceramic Metal Halide	Ceramic Metal Halide	High Pressure Sodium	High Pressure Sodium
	Lamp	MHC150/C/U/M/3K	MH100/C/U/M/3K	C150S55/D/M	C100S54/D/M
	Bulb	ED-17	ED-17	ED-17	ED-17
	Base	Medium	Medium	Medium	Medium
	Lamp is included.				
MOUNTING	Fabricated steel bracket assembly mounts over junction box and is secured to the wall in four places by customer-supplied hardware. Two parallel square tubes with 3" O.D. tenon are welded to the 0.24" thick mounting plate. Mounting bracket is hot-dip galvanized with coating inside and out, then lightly sanded prior to painting. Bracket assembly ships prewired with fishtape.				
FINISH	Housing is cleaned ultrasonically prior to painting. Standard finish is finely textured matte silver grey metallic or black. Special colors available on request.				
WARRANTY	Limited product warranty period is three years. Lamp and ballast shall carry the respective manufacturer's limited warranty.				
CERTIFICATION	 Listed for Wet Locations.				

Specifications are subject to change without notification

Specifications



www.hessamerica.com

Specifications are subject to change without notification

HessAmerica . P.O. Box 28 . Gaffney, SC 29342. Phone: 864-487-3535 . Fax: 864-487-3175 . www.hessamerica.com

.hess