

NOVARA 4500ML HID Pendant Luminaire

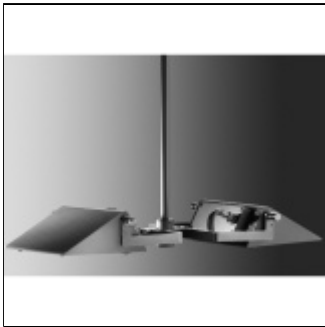
Project Name

Address

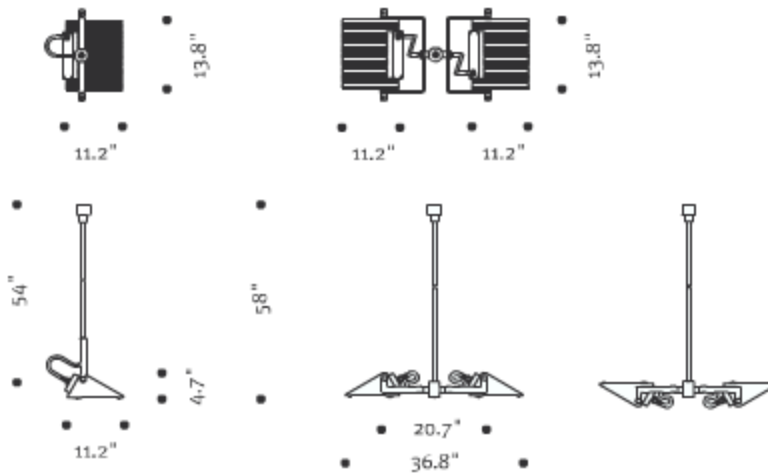
City

State

ZIP



Dimensions



NOVARA 4500ML HID Pendant Luminaire

NV450ML-X Single Luminaire = 30 lbs www.hessamerica.com

Type	Model	Watt	Lamp	Volt	Mounting	Finish	Option
	NV450ML-X	70	MH – Metal Halide	2 - 120 A – Single 7 - 277	Single Mount B – Twin Mount	SG - Silver Grey CC - Custom Color	SF – Single Fuse MG – Matte Glass OLD* – Overall Length - Downlight (") OLU* – Overall Length - Uplight (") N - None

* - OL – Overall length is from ceiling to bottom of fixture.

Ordering Information

Comment

Specifications are subject to change without notification

Specifications

DESCRIPTION	Pendant mounted luminaire for interior applications where contemporary styling is desired.	
HOUSING	Wedge-shaped housing is cast from high-grade aluminum alloy with integrated cooling fins to enhance heat dissipation. Segregated ballast compartment with separate cast aluminum cover is thermally isolated from the optical system, ensuring optimal operating environment for electrical components. Door assembly is one piece brushed stainless steel and sealed with closed cell silicone gasketing when closed. Hinged door is retained by two captive stainless steel socket head cap screws for ease of maintenance. Braided stainless steel line houses weatherproof electrical cord, terminating in watertight couplings at both ends. Brushed stainless steel bracket assembly is available in single or twin mount configurations. Single mount luminaire is available in direct position only. Twin mount configuration may be mounted in direct or indirect position. All hardware is stainless steel.	
OPTICS	Horizontal lamp is housed in small hammertone, bright finish optical system, laser cut for precise reproduction. 0.20" thick impact resistant tempered glass lens is clear or matte and bonded with silicone to the doorframe. Specify clear or matte lens.	
ELECTRICAL	Ceramic metal halide core and coil ballast with class "H" (180°C) insulation system shall have a minimum high power factor rating of 90% and nominal ballast factor of 1.0. Ballast shall be capable of reliable starting to -20°F (-30°C) at nominal line voltage of ±10%. Ballast, capacitor, and starter are UL and CSA recognized. G12 base socket is 660w-600v, 5kV pulse rated.	
LAMPING	Wattage	70
	Source	Ceramic Metal Halide
	Lamp	CDM70/TD/830
	Bulb	TD-6
	Base	RX7S
	Lamp is included.	
MOUNTING	Luminaire assembly mounts over octagon box, supplied by others. Canopy is precision machined from aluminum then satin anodized. Stem is finished to match. Custom pendant lengths are available.	
FINISH	Housing is ultrasonically cleaned prior to painting. Standard finish is finely textured matte silver grey metallic. Special colors available on request.	
WARRANTY	Limited product warranty period is three years. Lamps and ballasts shall carry the respective manufacturer's limited warranty.	
CERTIFICATION	cUL ^{us} Listed for Wet Locations. (Direct position).	
	cUL ^{us} Listed for Damp Locations (Indirect position).	

Specifications are subject to change without notification