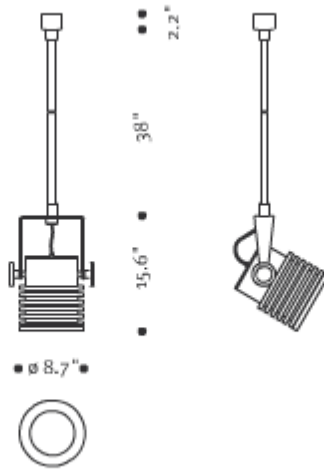




Dimensions



B A R I 2 2 0 P Y CFL Pendant Mounted Luminaire

BR220PY Luminaire = 27 lbs

www.hessamerica.com

Type	Model	Watt	Lamp	Volt	Mounting	Distribution	Finish	Pendant	Option
	BR220PY	32	CF - Compact Fluorescent	2-120 7-277	P - Pendant	S - Symmetrical	AA - Anodized Aluminum	38 - Standard Pendant Length OL - Overall Length (specify)	MG - Matte Glass SM - Swivel Mount N - None

* - OL - Overall length is from ceiling to bottom of fixture.

Ordering Information

Comment

Specifications are subject to change without notification

Specifications

DESCRIPTION	Pendant mounted luminaire for indoor applications where contemporary styling is desired.	
HOUSING	Luminaire housing, lens ring, and canopy are precision machined from 6082 aluminum, then satin anodized. Housing with integral cooling grooves is machined inside and out from 1.2" wall aluminum tubing. Lens ring with gasketed tempered glass lens fits flush to the housing, and is secured with three recessed setscrews. Luminaire is attached to stainless steel yoke with precision-machined aluminum adjustment knobs, satin anodized to match luminaire and canopy. Nickel-plated knurled strain reliefs support exposed cable between the luminaire and yoke. Pendant stem is 38" long and finished to match housing. Custom pendant lengths are available upon request. Canopy mounts to the ceiling over 3.5" or 4" octagon box with hardware and anchors. All hardware is stainless steel.	
OPTICS	Base up compact fluorescent lamp uses a specular spun aluminum reflector to provide symmetrical distribution. Optional matte glass lens is available upon request.	
ELECTRICAL	Compact fluorescent high frequency electronic ballast shall be Class P and Outdoor Type 1 rated. Ballast shall have a minimum high power factor rating of 98% and nominal ballast factor of 0.98. Total harmonic distortion shall be less than 10%. Ballast shall be capable of reliable starting to 0°F (-18°C) at nominal line voltage and frequency of ±10%. Ballast shall be UL and CSA recognized. GX24q-3 lamp socket is 75w-600v rated	
LAMPING	Wattage	32
	Source	Compact Fluorescent
	Lamp	CFTR32W/GX24q
	Bulb	PL-T
	Base	GX24q-3
	Lamp is included.	
FINISH	Standard finish is satin anodized aluminum.	
WARRANTY	Limited product warranty period is three years. Lamp and ballast shall carry the manufacturer's limited warranty.	
CERTIFICATION	cUL ^{us} Listed for Damp Locations.	

Specifications are subject to change without notification